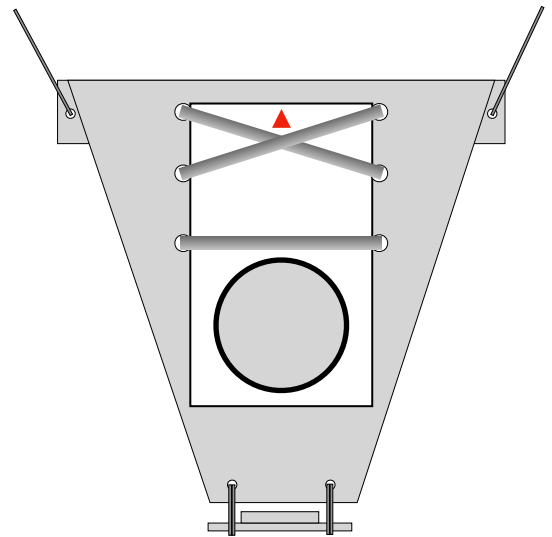
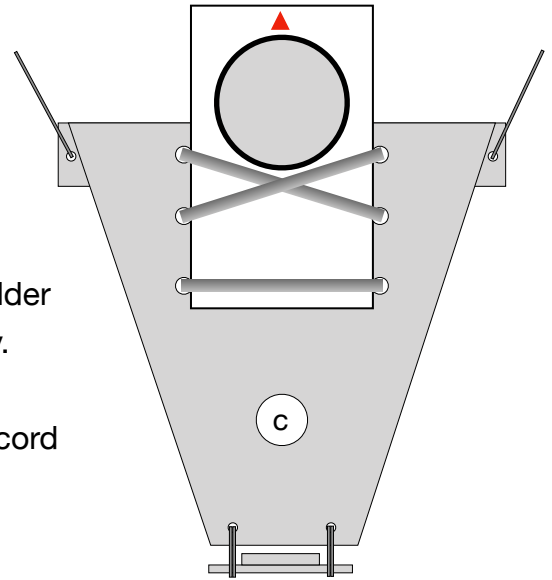


NAVIPLATE

COMPASS MOUNT INSTRUCTIONS

1. Slide belt tab (a) inside your waist belt.
2. Attach Velcro tabs (b) to Velcro on Icetrek harness shoulder straps, adjusting so that mounting plate sits horizontally.
3. Place your forward-oriented compass under the shock cord on the mounting plate (c).



ICE>TREK



polar equipment

www.icetrek.com